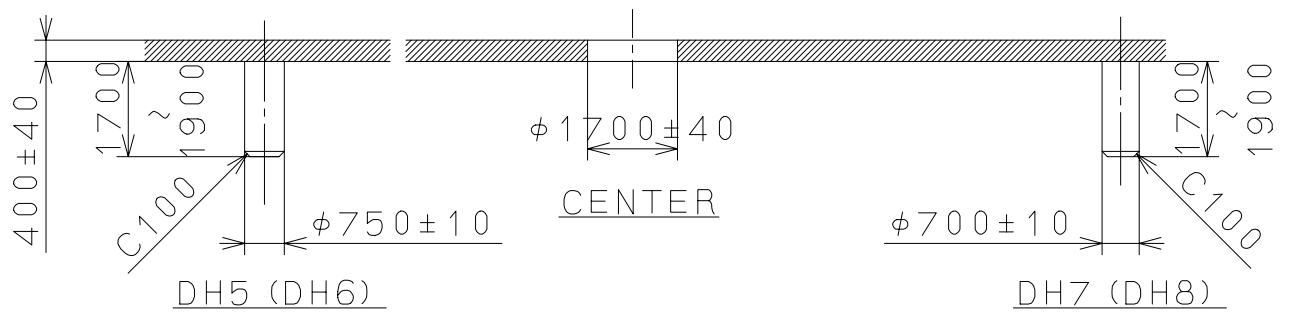
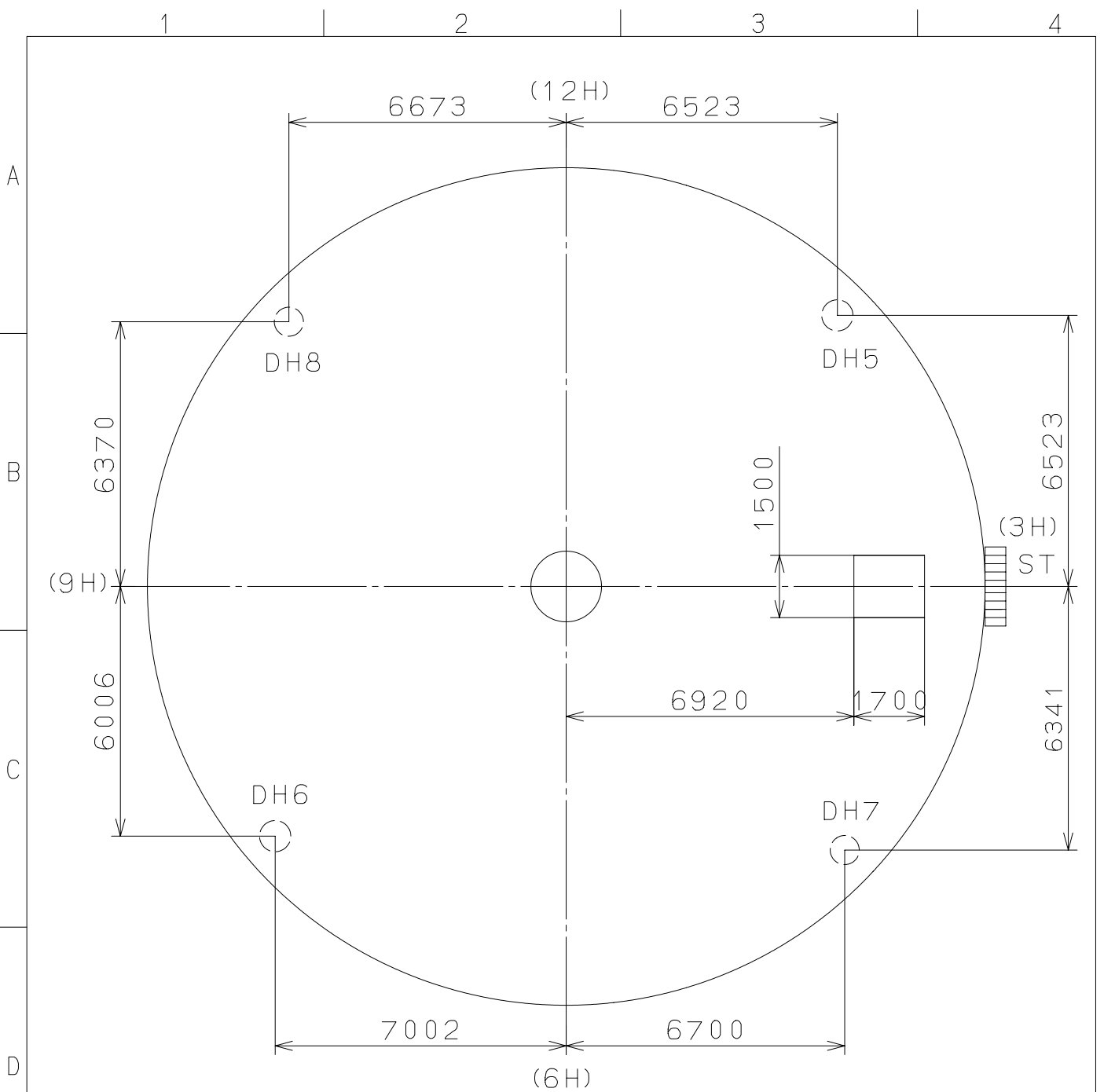


**MIYOTA**  
CITIZEN WATCH CO., LTD. TOKYO, JAPAN

2005/01/20 (17:44:09)

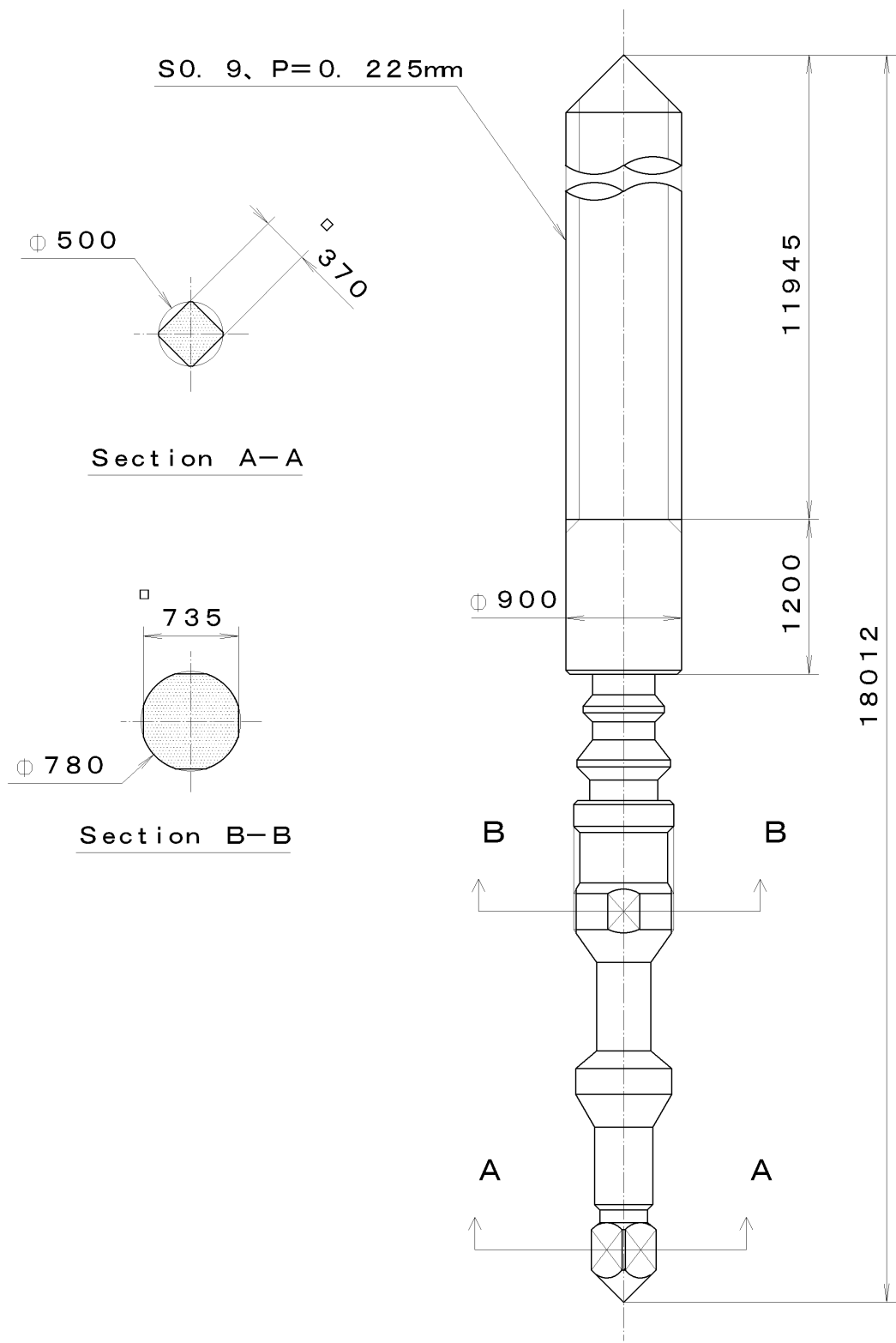
This drawing is provisional and subject to our reconfirmation and/or revision without notice.



△			Quantity			Cal.NO.:GN10-00A
△			Unit	1 / 1000 mm		
△			Scale	7 / 1		Parts No.:
△				Date	Name	
△			Drawn			
Mark	Date	Description	Appr.	Checked	M. Fukuda	Name:
Alterations			Approved			Indications for Dial
Material					Drawing No.:GN10D000	
Heat Treatment					General Tolerances	
Hardness					Dimensions	
Plating					Angles	
<b>CITIZEN</b>						CITIZEN WATCH CO., LTD. TOKYO, JAPAN

This drawing is provisional and subject to our reconfirmation and/or revision without notice.

\*\*\* T I P W 065-547 (01) \*\*\* (2100 1121) 02-07-12



7			Quantity		Cal. No. :
6			Unit	1/1000 mm	
5			Scale	20:1	Parts:
4			Date		065-547
3			Drawn		
2			Checked	T. Hiruta	Name:
1			Approved		SETTING STEM
Material					Drawing No. : 5470S000
Heat Treatment			General Tolerances		<b>CITIZEN</b> WATCH CO., LTD. TOKYO, JAPAN
Hardness			Dimensions		
Plating			Angles		